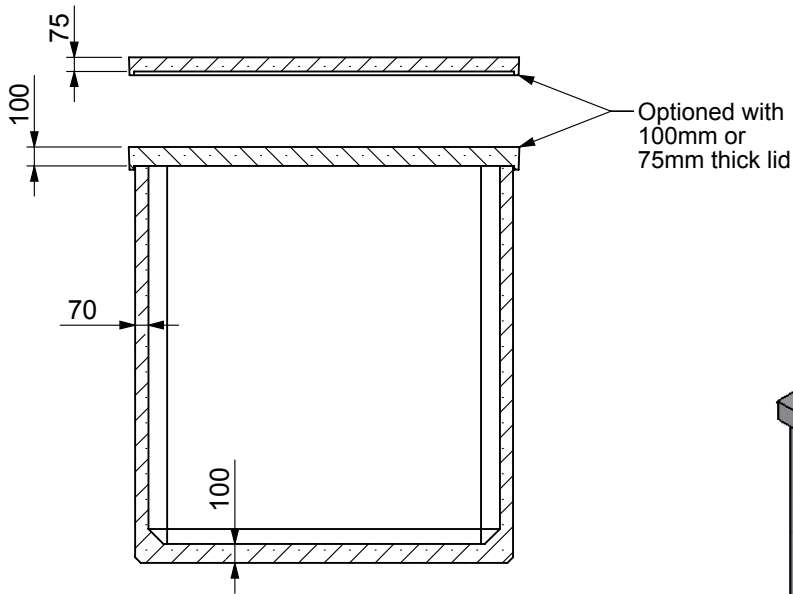
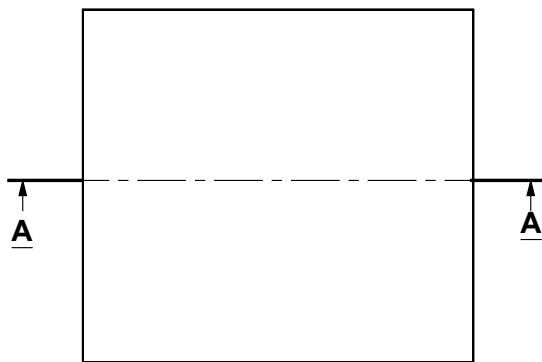
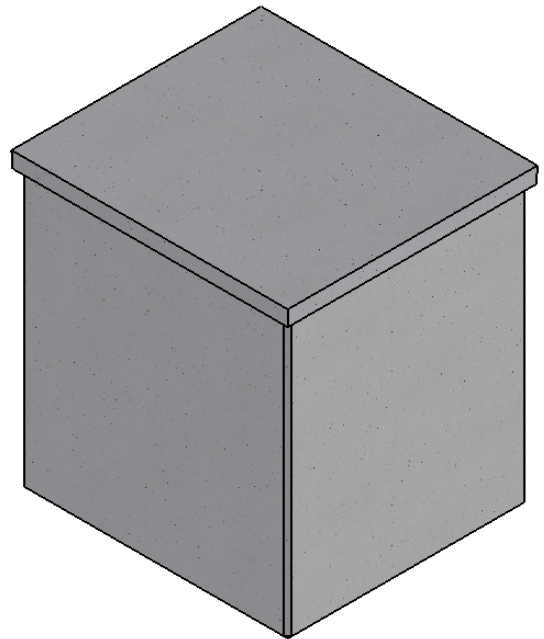


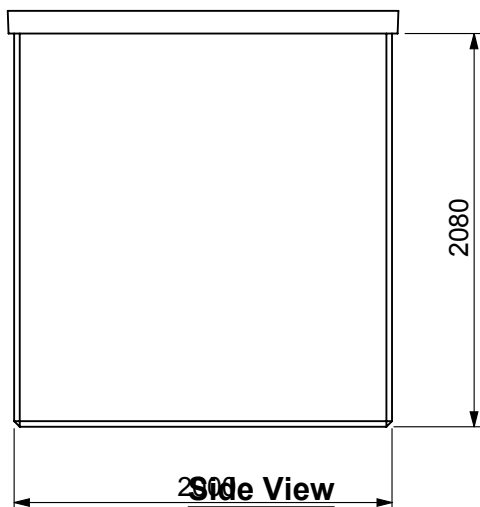
This drawing and all the information hereon is the property of Owner stated. It must not be copied, made public or used directly or indirectly, including manufacture of the product shown herein, without written approval. This drawing is loaned subject to these conditions and subject to return on demand.



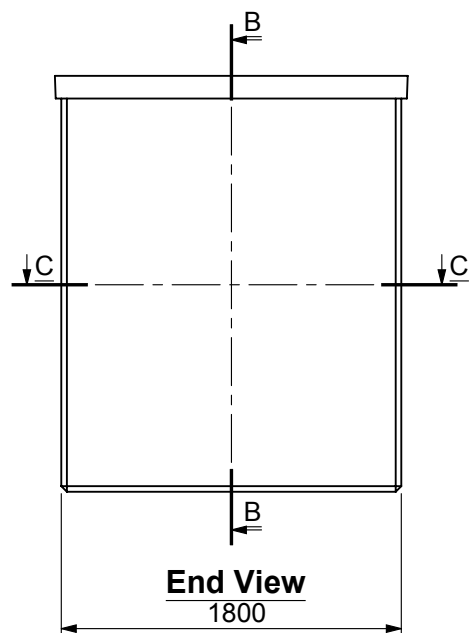
SECTION A-A



Top View



Side View



End View

				Part of	000000	Assembly Name	
				Part of	000000	Sub Assembly Name	
A	06/10/11	Released for Approval	ANV	Part No.	111006-1	Tank, Water, 2000Lx1800Wx2200H - 6700litre	
ISSUE	Date	Issue Description	By	Description:	Product Size Details		
PDF	A4 Drawing	DO NOT SCALE FROM DRAWING. DIMENSIONS IN MILLIMETERS UNLESS OTHERWISE SPECIFIED		Scale:	1:40	Drawing No: 111006-1 A	
DXF	Third Angle						
Reg	Projection						
			NO DECIMAL PLACES ±0.5mm ONE DECIMAL PLACE ±0.25mm TWO DECIMAL PLACES ±0.05mm ANGLES (DEGREES) ±0.5°				